



Surgical Suction Program

OP-Flex™ Suction Handles and Sets

OP-Flex™ suction handles and sets are ergonomically designed to enhance comfort and control for surgeons when performing surgical suction during operative procedures.

Ergonomically designed to enhance comfort and control for surgeons

- Kink-free design gives surgeons a high degree of maneuverability
- OP-Flex™ system enables quick and reliable exchange of suction handles during an operation
- Built-in vacuum control allows surgeon to apply the necessary amount of pressure
- Lightweight, ergonomic design helps to provide secure grip and minimizes hand fatigue during long procedures

Economical and flexible application

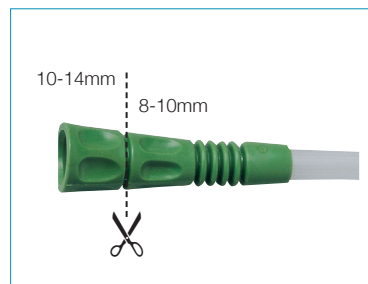
- OP-Flex™ connecting tube with cut-to-fit connector fits various canisters and eliminates the need to stock different end-to-end connectors and adapters
- A wide range of compatible suction handles and tips with and without vacuum control for application in various surgical procedures

Reliable performance during operations

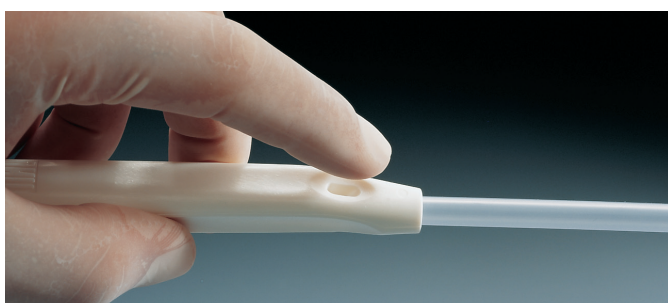
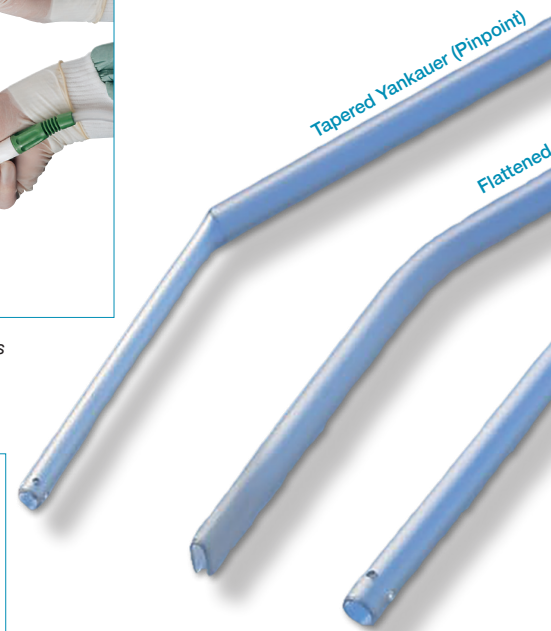
- Vacuum control helps to reduce the risk of tissue damage, infections and post-operative complications
- Atraumatic relieving eyes are designed to reduce the risk of tissue being sucked into the tip during vacuum operation
- Handles can be changed without having to disconnect the tube from the suction unit



The ergonomic design provides secure grip in any position.



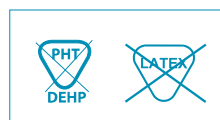
The OP-Flex™ connector can be cut to fit all suction canisters from 8 to 14 mm (Super Flow: 10 to 18mm).



Available with built-in fingertip vacuum control that allows the surgeon to apply the necessary amount of suction.



The OP-Flex™ system allows for quick and reliable exchange of suction handles.



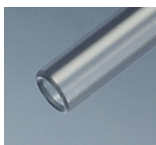
All OP-Flex™ products are made from Latex- and DEHP- / Phthalate-free materials.



OP-Flex™ anti-kink connection ensures uninterrupted suction even when working at extreme angles.



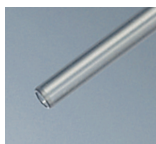
OP-Flex™ suction handles are available with a choice of eight suction tips



Conventional Yankauer
 Universal tip without lateral eyes for general suction of fluids during open surgery.



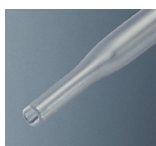
Conventional Yankauer with eyes
 Universal tip with four relieving lateral eyes for atraumatic surgical suction.



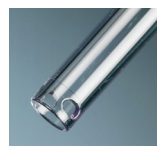
Tapered Yankauer (Pinpoint)
 Conical tip for operations where space is limited, e.g. in neuro- or plastic surgery.



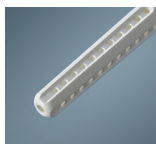
Tapered Yankauer with eyes (Sensiplus)
 Conical tip with four relieving lateral eyes for atraumatic suction when space is limited.



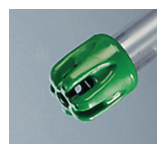
Flattened Yankauer (Duckbill)
 Flat tip for suctioning e.g. between nerves and muscle tissue.



Super Flow
 Yankauer tip with relieving eyes and extra large lumen for efficient suctioning during profuse bleeding.



Poole (X-ray visible)
 with recessed holes for abdominal surgery and for extraction of secretions with free sediment.



Sump Yankauer
 Distributes vacuum for gentle suctioning involving delicate tissues.

OP-Flex™ Suction Handles and Sets

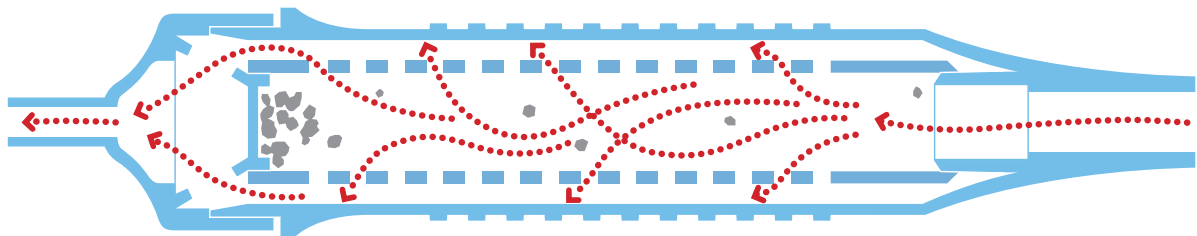
OP-Flex™ FilterFlow™ system is designed to remove and collect debris and bone fragments without blocking.

Patented filter system designed to remove debris and bone fragments without blocking

- OP-Flex™ FilterFlow™ system is ideal for knee and hip arthroplasty as well as other orthopedic surgical procedures
- Patented cross-flow filter system allows fluids to flow freely and traps debris
- Increased filter capacity for surgical procedures that generate considerable debris
- Filter system helps to prevent inconvenient and time-consuming blockages

Designed for ease of use during orthopedic surgical procedures

- Non-slip handle for precision control, even when wearing wet gloves
- Selection of 3 tips included for different operating conditions
- Replacement filter included for time saving filter change
- Part of the OP-Flex™ system to enhance comfort and control for surgeons



The patented cross-flow filter allows fluids to flow freely as it traps the debris that clogs conventional suction sets used in orthopedic surgery.



Replacement filter included in each set for quick exchange when original filter becomes filled with debris.

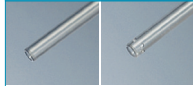
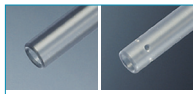


Selection of 3 tips for different operating conditions, including extra length reversible suction tip for intra-femoral suction.

	Suction Handle					Connecting Tube (Shore A 74)			
	REF*	I.D. O.D. (mm)	Size (CH/FG)	Relieving Eyes	Vacuum Control	Length	CH/FG	Quantity (pcs)	
	OP-Flex™ FilterFlow™ w. 3 tips (150mm/0.49', 230mm/0.75', 280mm/0.92')								
	3418918x	6.0/8.1	24	Large	4	-	2.7m/8.9'	24	30
	3309518x	6.0/8.1	24	Large	4	-	-	-	40

	REF*	Length	CH/FG	For use with	Quantity (pcs)
	OP-Flex™ Suction connection tubing				
	Sterile				
	1610018x	2.1m/6.9'	24	All OP-Flex™ handles except Super Flow	50
	1610218x	3.5m/11.5'	24	All OP-Flex™ handles except Super Flow	50
	3405218x	2.1m/6.9'	35	All OP-Flex™ Super Flow handles	50

* Here noted as x, reference codes contain an additional digit (1-5) representing a language code.
Products may not be available in all countries. Please contact your regional ConvaTec sales representative for further information.



REF*	Suction Handle				Connecting Tube (Shore A 74)			
	I.D. O.D. (mm)	Size (CH/FG)	Relieving Eyes	Vacuum Control	Length	CH/FG	Quantity (pcs)	
OP-Flex™ Conventional Yankauer – Open tip, Single bend - Length 155mm (0.51')								
3304718x	4.6/6.5	20	Medium	4	–	–	–	300
3304618x	4.6/6.5	20	Medium	4	Yes	–	–	300
3304818x	5.0/7.5	22	Large	0	Yes	–	–	300
3309318x	5.0/7.5	22	Large	4	–	–	–	300
3409818x	5.0/7.5	22	Large	0	–	2.1m/6.9'	24	50
3409918x	5.0/7.5	22	Large	0	–	3.5m/11.5'	24	50
3409618x	5.0/7.5	22	Large	0	Yes	2.1m/6.9'	24	50
3409718x	5.0/7.5	22	Large	0	Yes	3.5m/11.5'	24	50
3418518x	5.0/7.5	22	Large	4	Yes	3.5m/11.5'	24	50
3418618x	5.0/7.5	22	Large	4	–	2.1m/6.9'	24	50
3418718x	5.0/7.5	22	Large	4	–	3.5m/11.5'	24	50
3409218x	4.6/6.5	20	Medium	4	–	2.1m/6.9'	24	50
3409418x	4.6/6.5	20	Medium	4	–	3.5m/11.5'	24	50
3408918x	4.6/6.5	20	Medium	4	Yes	2.1m/6.9'	24	50
3409118x	4.6/6.5	20	Medium	4	Yes	3.5m/11.5'	24	50
3409518x	4.6/6.5	20	Medium	4	–	4.5m/14.8'	24	40
OP-Flex™ Tapered Yankauer – Single bend - Length 155mm (0.51')								
3303818x	2.95/4.20	12	Small	0	Yes	–	–	300
3303218x	2.95/4.20	12	Small	4	–	–	–	300
3407418x	2.95/4.20	12	Small	0	Yes	2.1m/6.9'	24	50
3407618x	2.95/4.20	12	Small	0	Yes	3.5m/11.5'	24	50
3406318x	2.95/4.20	12	Small	4	–	2.1m/6.9'	24	50
3406518x	2.95/4.20	12	Small	4	–	3.5m/11.5'	24	50
OP-Flex™ Flattened Yankauer – Single bend - Length 155mm (0.51')								
3304518x	4.6/6.5	20	Medium	0	–	–	–	300
3304418x	4.6/6.5	20	Medium	0	Yes	–	–	300
3408718x	4.6/6.5	20	Medium	0	–	2.1m/6.9'	24	50
3408818x	4.6/6.5	20	Medium	0	–	3.5m/11.5'	24	50
3408418x	4.6/6.5	20	Medium	0	Yes	2.1m/6.9'	24	50
3408618x	4.6/6.5	20	Medium	0	Yes	3.5m/11.5'	24	50
OP-Flex™ Sump Yankauer – Diffuser tip, Single bend - Length 155mm (0.51')								
3304318x	4.6/6.5	20	Medium	0	–	–	–	300
3304218x	4.6/6.5	20	Medium	0	Yes	–	–	300
3408218x	4.6/6.5	20	Medium	0	–	2.1m/6.9'	24	50
3408318x	4.6/6.5	20	Medium	0	–	3.5m/11.5'	24	50
3407918x	4.6/6.5	20	Medium	0	Yes	2.1m/6.9'	24	50
3408118x	4.6/6.5	20	Medium	0	Yes	3.5m/11.5'	24	50
OP-Flex™ Poole – (X-ray visible) - Length 175mm (0.57')								
3303518x	4.6/6.5	20	Medium	2	–	–	–	200
3407018x	4.6/6.5	20	Medium	2	–	2.1m/6.9'	24	50
3407118x	4.6/6.5	20	Medium	2	–	3.5m/11.5'	24	50
OP-Flex™ Super Flow – Open tip, Single bend - Length 180mm (0.59)								
3303018x	7.5/10.0	30	X-Large	2	–	–	–	100
3405818x	7.5/10.0	30	X-Large	2	–	2.1m/6.9'	35	20
3405918x	7.5/10.0	30	X-Large	2	–	3.5m/11.5'	35	20
3406018x	7.5/10.0	30	X-Large	2	Yes	2.1m/6.9'	35	20
3406218x	7.5/10.0	30	X-Large	2	Yes	3.5m/11.5'	35	20
OP-Flex™ Super Flow – Open tip, Straight - Length 180mm (0.59)								
3302918x	7.5/10.0	30	X-Large	2	Yes	–	–	100
3405518x	7.5/10.0	30	X-Large	2	–	3.5m/11.5'	35	20
3405618x	7.5/10.0	30	X-Large	2	Yes	2.1m/6.9'	35	20
3405718x	7.5/10.0	30	X-Large	2	Yes	3.5m/11.5'	35	20

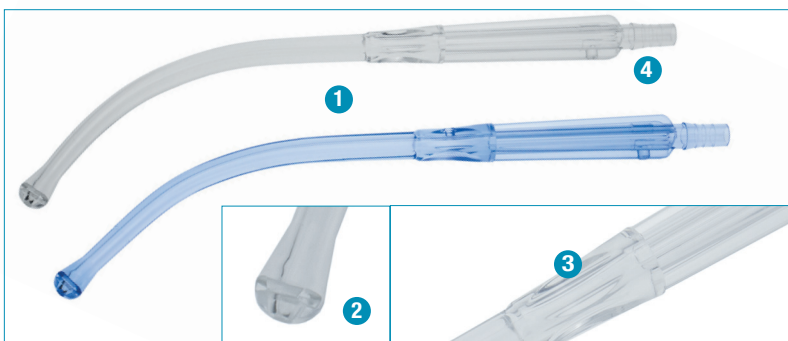


* Here noted as x, reference codes contain an additional digit (1–5) representing a language code. Products may not be available in all countries. Please contact your regional ConvaTec sales representative for further information.

Standard Yankauer Handles and Suction Tubing with Funnel Connectors

Single-piece integrated single-bent Yankauers with gently rounded atraumatic diffusor tips. Fluted handles for good grip. Universal christmas tree fitting to connect to a variety of suction tubings. Optional vacuum control. Non-sterile or double-wrapped sterile.

- 1 Single-bent Yankauer handles with optional vacuum control vent. Clear handle is ventless, while the handle with vacuum control has blue colour.
- 2 Gently rounded, atraumatic diffusor tip, which distributes suction evenly reducing the risk of adherence and trauma.
- 3 Optional vacuum control trimmed smoothly into the fluted handle.
- 4 Christmas tree connector providing fit to multiple tubing options.



Single-use, Disposable.
Latex- and DEHP- / Phthalate-free.



Standard Yankauer Suction Handles					
REF	Handle Type	Vacuum Control	Colour	Quantity (pcs)	
UM1802	Yankauer handle, double-wrapped, sterile	-	Clear	25/100	
UM1801	Yankauer handle, single-wrapped, sterile	-	Clear	25/100	
UM0800	Yankauer handle, bulk packed, non-sterile	-	Clear	100/300	
UM1812	Yankauer handle, double-wrapped, sterile	Yes	Blue	25/100	
UM1811	Yankauer handle, single-wrapped, sterile	Yes	Blue	25/100	

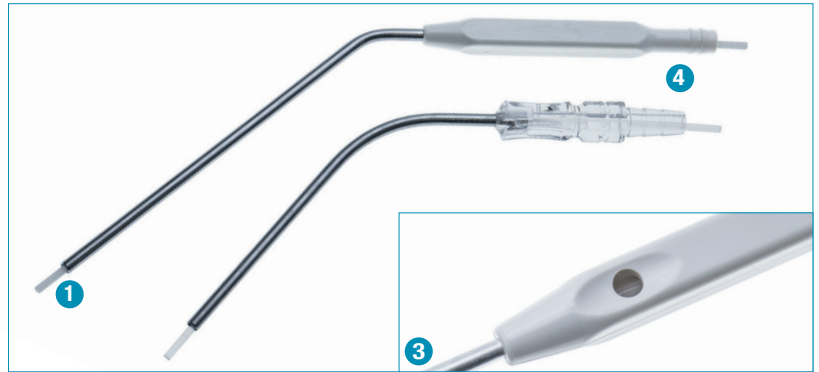
Suction Tubing with Funnel & Fingertip Connectors, Sterile						
Non-conductive, transparent suction tubing in various configurations, lengths and softness grades. Fully compliant with ANSI/AAMI/ISO 10079-2:1999 and 10079-3:1999. Made from non-toxic, medical grade PVC. Latex- and DEHP- / Phthalate-free.						
REF*	Type	Length	CH/FG	Shore A	Quantity (pcs)	
1603918x	No connectors	3.0m/ 9.8'	30	64	50	
1605918x	No connector / Funnel	2.1m/ 6.9'	24	78	50	
1606418x	No connector / Funnel	3.0m/ 9.8'	30	78	50	
1603118x	No connector / Funnel	3.5m/ 11.5'	24	64	50	
1606618x	No connector / Funnel	5.0m/ 16.4'	30	78	32	
1601318x	Fingertip / No connector	2.1m/ 6.9'	30	78	50	
1604918x	Funnel / Funnel	2.1m/ 6.9'	24	78	50	
1605018x	Funnel / Funnel	3.0m/ 9.8'	24	78	50	
1604218x	Funnel / Funnel	4.0m/ 13'	24	64	40	
1605618x	Funnel / Funnel	4.0m/ 13'	30	78	40	
1617218x	Funnel / Male Nipple	3.0m/ 9.8'	24	78	50	
1617318x	Funnel / Male Nipple	5.0m/ 16.4'	24	78	40	
1602118x	Fingertip / Funnel	2.1m/ 6.9'	24	78	50	
1602418x	Fingertip / Funnel (soft)	2.1m/ 6.9'	24	78	50	
1606918x	Funnel / Male Nipple (w. cap)	2.1m/ 6.9'	24	78	50	

* Here noted as x, reference codes contain an additional digit (1-5) representing a language code.
Products may not be available in all countries. Please contact your regional ConvaTec sales representative for further information.

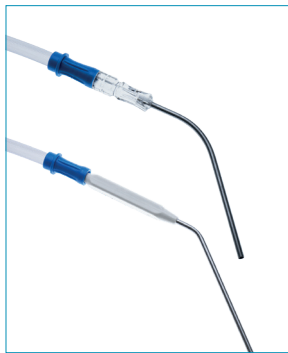
Sterile Frazier Suction Handles and Tubing

Disposable, sterile Frazier suction handles are designed for removing of fluid and debris during operative procedures in confined surgical sites requiring precise suctioning such as cardiac surgery, neurosurgery and plastic surgery.

- 1 Complete with obturator that allows shaping of the malleable aluminium tip to the desired position without occluding.
- 2 Available in four different sizes and two lengths adapting to different procedural requirements.
- 3 Vacuum control permits quick elimination of suction force from the tip.
- 4 Christmas tree connector providing fit to multiple tubing options.



Single-use, Disposable.
Latex- and DEHP- / Phthalate-free.



Frazier Suction Handles, Double Wrapped, Sterile

REF	Size (CH/FG)	Suction Tip Length	Vacuum Control	Handle Type	Colour	Quantity (pcs)
UM1906	06	13.5 cm	Yes	Short	Clear	25/50
UM1908	08	13.5 cm	Yes	Short	Clear	25/50
UM1908L	08	17.0 cm	Yes	Long	White	25
UM1910	10	13.5 cm	Yes	Short	Clear	25
UM1910L	10	17.0 cm	Yes	Long	White	25
UM1912	12	13.5 cm	Yes	Short	Clear	25/50
UM1912L	12	17.0 cm	Yes	Long	White	25

UM114.2.300


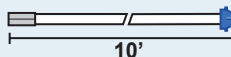
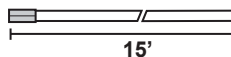


Frazier Suction Tubes, Double Wrapped, Sterile

Non-conductive, suction tubing made specifically for fit and use with Frazier suction handles. Transparent tubes support easy observation of fluids during suctioning. Roughened surface designed to reduce risk of sliding off the OR-table. Developed for high negative suction pressures up to 80 kPa (800 mbar). Fully compliant to ANSI/AAMI/ISO 10079-2:1999 and 10079-3:1999.

Made from non-toxic, medical grade PVC.
Single-use, Disposable. Latex- and DEHP- / Phthalate-free.



REF	Length	Connector(s)	I.D. (mm)	O.D. (mm)	Quantity (pcs)
UM114.2.200	 2.0m	White / Blue	∅ 6.0	∅ 9.0	25
UM114.2.300	 3.0m	White / Blue	∅ 6.0	∅ 9.0	25
UM114.2.450	 4.5m	White / Blue	∅ 6.0	∅ 9.0	25

Universal Tubing with Hexagonal Connector

Non-conductive, all-purpose suction tubing equipped hexagonal connectors on both ends. Yellow colored connectors clearly indicate unsterile, while white connectors indicate sterile suction tubing. Transparent tubes support easy observation of fluids during suctioning. Roughened surface designed to reduce risk of sliding off the OR-table.

Developed for high negative suction pressures up to 80 kPa (800 mbar). Fully compliant to ANSI/AAMI/ISO 10079-2:1999 and 10079-3:1999.

Made from non-toxic, medical grade PVC.
Single-use, Disposable. Latex- and DEHP- / Phthalate-free.



UM010.3.450					
Standard Suction Tubing, Non-Sterile					
REF	Length		I.D. (mm)	O.D. (mm)	Quantity (pcs)
UM010.3.050	0.5m	1.7'	6.0	9.0	25/200
UM010.3.100	1.0m	3.3'	6.0	9.0	25/50
UM010.3.150	1.5m	5'	6.0	9.0	25/50
UM010.3.200	2.0m	6.5'	6.0	9.0	25/50
UM010.3.300	3.0m	10'	6.0	9.0	25/50
UM010.3.450	4.5m	15'	6.0	9.0	25
UM010.3.600	6.0m	20'	6.0	9.0	25

UM012.3.300					
Heavy Duty Suction Tubing, Non-Sterile					
REF	Length		I.D. (mm)	O.D. (mm)	Quantity (pcs)
UM012.3.300	3.0m	10'	6.6	9.8	25/50
UM012.3.600	6.0m	20'	6.6	9.8	25

UM110.1.200					
Standard Suction Tubing, Double Wrapped, Sterile					
REF	Length		I.D. (mm)	O.D. (mm)	Quantity (pcs)
UM110.1.200	2.0m	6.5'	6.0	9.0	25/50
UM110.1.300	3.0m	10'	6.0	9.0	25
UM110.1.450	4.5m	15'	6.0	9.0	25
UM110.1.600	6.0m	20'	6.0	9.0	25
UM110.1.800	8.0m	26'	6.0	9.0	20

UM112.1.450					
Heavy Duty Suction Tubing, Double Wrapped, Sterile					
REF	Length		I.D. (mm)	O.D. (mm)	Quantity (pcs)
UM112.1.200	2.0m	6.5'	6.6	9.8	25/50
UM112.1.300	3.0m	10'	6.6	9.8	25
UM112.1.450	4.5m	15'	6.6	9.8	25
UM112.1.600	6.0m	20'	6.6	9.8	25

Speciality Suction Tubing

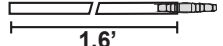
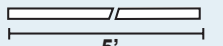

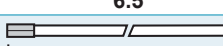
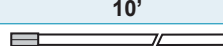

Non-conductive, suction tubing for speciality use.


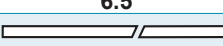
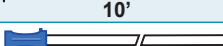

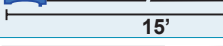
- Special Soft tubing provides soft and flexible material, similar to silicone, while maintaining crush and kink stability by increased O.D.
- Suction tubing with extra-large lumen provides a reliable drainage solution for procedures with increased risk of blockage

Transparent tubes support easy observation of fluids during suctioning. Extra-large lumen tubing is equipped with a roughened surface. Developed for high negative suction pressures up to 80 kPa (800 mbar). Fully compliant to ANSI/AAMI/ISO 10079-2:1999 and 10079-3:1999.

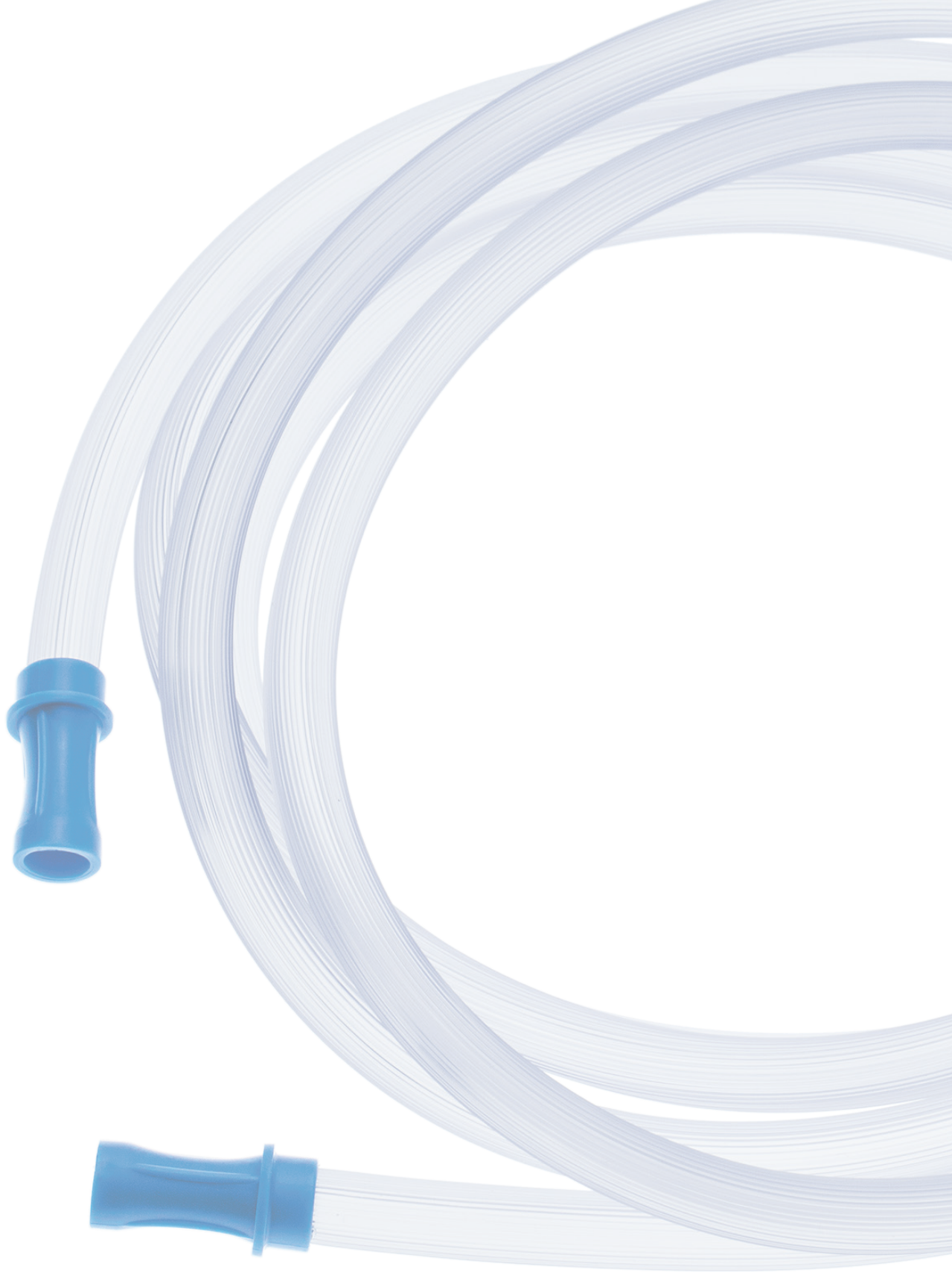
Made from non-toxic, medical grade PVC.
Single-use, Disposable. Latex- and DEHP- / Phthalate-free.



Special Soft Suction Tubing, Double Wrapped, Sterile						
REF	Length	Connector(s)	I.D. (mm)	O.D. (mm)	Quantity (pcs)	
UM111.1.048	 1.6' 0.48m	1x clear male	∅ 6.0	∅ 9.6	25/50	
UM111.1.150	 5' 1.5m	-	∅ 6.0	∅ 9.6	25	
UM111.1.200	 6.5' 2.0m	1x white	∅ 6.0	∅ 9.6	25	
UM111.1.300	 10' 3.0m	1x white	∅ 6.0	∅ 9.6	25	
UM111.1.400	 13' 4.0m	1x white	∅ 6.0	∅ 9.6	25	
UM111.1.800	 26' 8.0m	1x white	∅ 6.0	∅ 9.6	20	

Extra-Large Lumen Suction Tubing, Double Wrapped, Sterile						
REF	Length	Connector(s)	I.D. (mm)	O.D. (mm)	Quantity (pcs)	
UM113.2.200	 6.5' 2.0m	2x white	∅ 8.0	∅ 12.0	25	
UM113.0.300	 10' 3.0m	-	∅ 8.0	∅ 12.0	25	
UM113.2.300	 10' 3.0m	2x blue	∅ 7.1	∅ 11.3	25	
UM113.2.450	 15' 4.5m	2x blue	∅ 7.1	∅ 11.3	25	
UM015.0.3000 (Non-Sterile)	 100' 30m	-	∅ 8.0	∅ 12.0	5	

Multi-purpose Connectors and Adapters					
Multi-purpose conical christmas-tree suction tube connectors and adapters are available in a variety of sizes, sterile or non-sterile autoclavable format.					
Made from non-toxic, medical grade Polystyrene. Single-use, Disposable. Latex- and DEHP- / Phthalate-free.					
REF	Size	I.D. (mm)	Fits tube diameter	Sterile	Quantity (pcs)
UM121.1.S	Small / Small	∅ 3.0	4-7 / 4-7 mm	Sterile	50/100
UM121.1.M	Medium / Medium	∅ 6.0	7-10 / 7-10 mm	Sterile	50/100
UM121.1.L	Large / Large	∅ 8.0	10-14 / 10-14 mm	Sterile	50/100
UM021.4.S	Small / Small	∅ 3.0	4-7 / 4-7 mm	Non-sterile	100/5000
UM021.4.M	Medium / Medium	∅ 6.0	7-10 / 7-10 mm	Non-sterile	100/5000
UM122.1.SM	Small / Medium	∅ 2 / 6	4-7 / 7-10 mm	Sterile	50/100
UM122.1.SL	Small / Large	∅ 2 / 8	4-7 / 10-14 mm	Sterile	50/100
UM122.1.ML	Medium / Large	∅ 6 / 8	7-10 / 10-14 mm	Sterile	50/100
UM022.4.SM	Small / Medium	∅ 2 / 6	4-7 / 7-10 mm	Non-sterile	100/5000



Distributed by



ConvaTec Limited
First Avenue, Deeside Industrial Park, Deeside, Flintshire, CH5 2NU, UK
www.convatec.com

For further information on these products, please contact your local ConvaTec sales representative.

With reservations for misprints and alterations in product specifications. Printed version not controlled.

All trade marks and logos are property of a ConvaTec group company.
©2018 ConvaTec Inc. AP-019308-MM. ver. July 2018